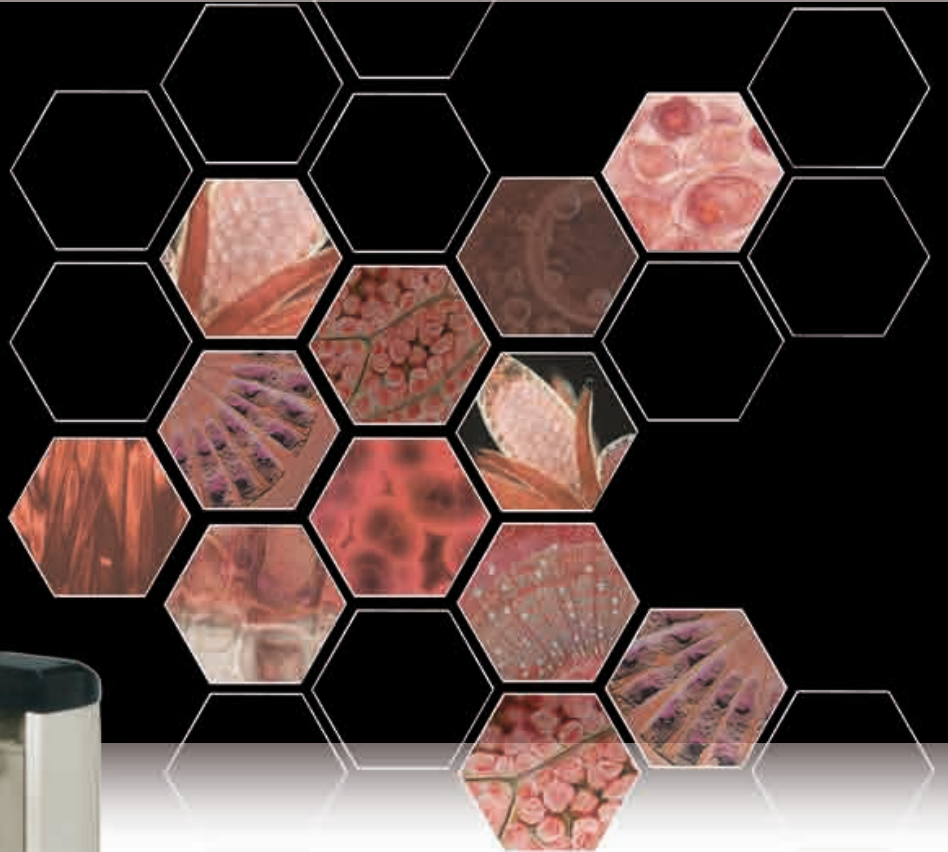


COBRA MZ1000

Zoom Stereo Microscopic System



- Standard magnification range 6x-50x
- Sharp and high in contrast images
- No ghost images
- Large depth of field
- Wide range observation



www.micros.at

micros
AUSTRIA

COBRA MZ1000

- ECONOMIC DESIGN
- NO GHOST IMAGES
- LARGE DEPTH OF FIELD
- WIDE RANGE OBSERVATION

The ideal instrument for industrial assembling, inspection and teaching purposes. The high quality optical components, provide sharp and high in contrast images with a high magnification and large zoom ratio.

MZ1000 ZOOM STEREO Body with optical zoom system
Pole stand with reflected light 12V/3W and transmitted light 12V/6W

Standard magnification range: 6x - 50x
Zoom ratio 1:8.3, zoom range 0.6x - 5x

Binocular viewing head, inclined at 45°, interpupillary distance 55-75mm

1 pair eyepieces WF10x/23

Our stereo microscope creates crystal clear erect 3D images with excellent depth of field for observations of flowers, animals, micro organisms, stones, minerals, various surfaces or circuit boards.

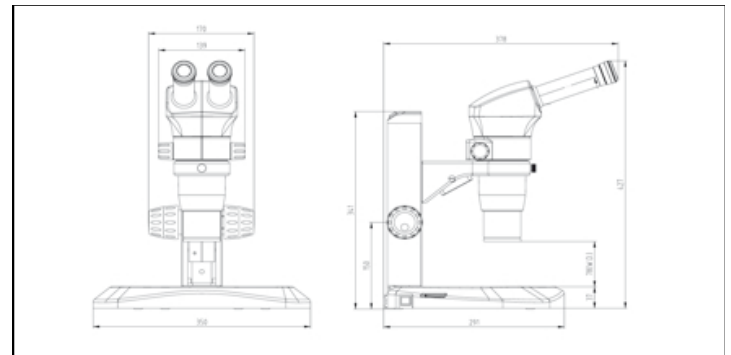
Viewing objects that are too small to be seen by your eyes only!

Observing inclusions in stones or crystals
Biology applications, observing animals or plants



COBRA OFFERS A NUMBER OF ADDITIONAL ACCESSORIES:

- Auxiliary lenses
 - 0.5x, WD 220 mm
 - 0.7x, WD 136 mm
 - 2x, WD 45 mm
- Eyepiece EW 15x/14 Widefield
- Eyepiece EW 20x/11 Widefield
- Eyepiece EW10x/22 High Eyepiece with reticular
- Objectmicrometer
- Darkfield filter Set for MZ- series
- Polarization filter



Microscope designs developed by MICROS AUSTRIA. Specifications and equipment are subject to change without any obligation on the part of the manufacturer.

micros
AUSTRIA

Hannochgasse 114 Gewerbezoo 13
9300 St. Veit/Glan, A-9311
Tel: 0043 4212/3090
Fax: 0043 4212/3090 90
e: info@micros.at
www.mic.at

Postfach 1181 38, 1200 Vienna, A-1210

FN50360 1202 - Cobra MZ1000 - version 3/17



We are here for you

