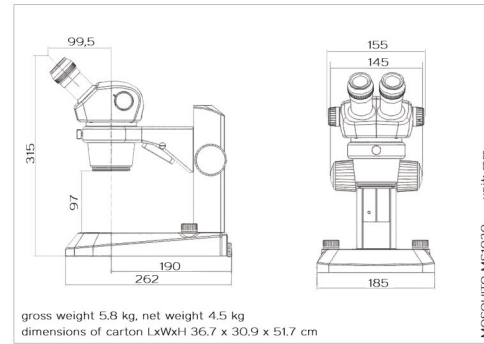
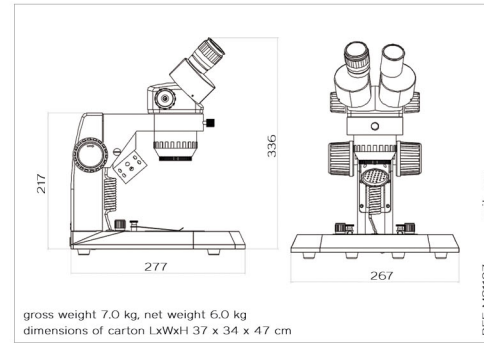


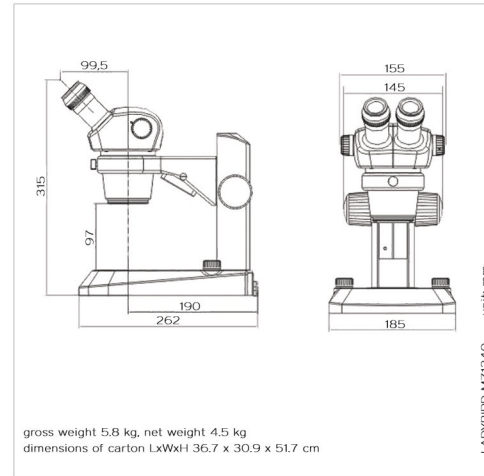
MOSQUITO MS1030	
Optical system	Greenough system
Magnification in nosepiece	1x/3x
Total Magnification	10x/30x
Base	Frosted glass plate, black/white plate and stage clips
Head	Binocular tube, 45° inclined, 360° rotatable Interpupillary distance adjustable from 50 - 75 mm
Eyepieces	WF 10x23 with eyeshields and diopter adjustment (Ø 30mm)
Working distance	100 mm
Illumination	Incident light 0.8W LED, variable intensity control Transmitted light 0.5W LED, variable intensity control Incident and Transmitted light can be used simultaneously



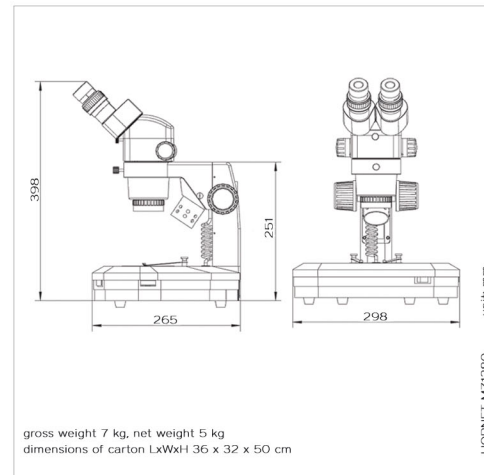
BEE MS1107	
Optical system	Greenough system
Magnification in nosepiece	1x/3x
Total Magnification	10x/30x
Base	Frosted glass plate, black/white plate and stage clips
Head	Binocular tube, 45° inclined, 360° rotatable Interpupillary distance adjustable from 50 - 75 mm, diopter adjustment
Eyepieces	WF 10x23 with eyeshields (Ø 30mm)
Working distance	95 mm
Illumination	Incident light 12V/3W LED, variable intensity control Transmitted light 12V/4W LED, variable intensity control Incident and Transmitted light can be used simultaneously



LADYBIRD MZ1240	
Optical system	Infinity optical light path
Zoom range	1:4.5x
Zoom range	1x - 4.5x
Standard Magnification	10x - 45x
Base	Clear glass plate and stage clips
Head (2 versions available)	Binocular tube, 45° inclined, 360° rotatable Interpupillary distance adjustable from 52 - 75 mm Trinocular tube, 45° inclined, 360° rotatable Interpupillary distance adjustable from 52 - 75 mm
Eyepieces	WF 10x23 with eyeshields and diopter adjustment (Ø 30mm)
Working distance	97 mm
Illumination	Incident light 0.8W LED, variable intensity control Transmitted light 0.5W LED, variable intensity control Incident and Transmitted light can be used simultaneously
Additional Accessories	Documentation systems, auxiliary lenses 0.5, 0.65, 0.75 and 2.0, eyepieces WF10x/20, WF15x/16, WF20x/12



HORNET MZ1280	
Optical system	Infinity optical light path
Zoom ratio	1:8.3x
Zoom range	0.6 x 5x
Standard Magnification	6x - 50x
Base	Frosted glass plate, black/white plate and stage clips
Head	Binocular tube, 45° inclined, 360° rotatable Interpupillary distance from 48 - 75 mm, diopter adjustment
Eyepieces	WF 10x/22 with eyeshields (Ø 30mm)
Working distance	95 mm
Illumination	Incident and transmitted light to be used simultaneously Incident light 12V/3W LED, variable intensity control Transmitted light 12V/4W LED, variable intensity control
Additional Accessories	Photoport for binocular tube, photo video adapter, documentation systems, auxiliary lenses 0.5, 0.75, 1.0, 1.5 and 2.0, eyepieces 5x, 10x, 15x, 20x, 25x, 30x, eyepiece micrometer, polarization set, aluminium transport case



Microscope designs developed by MICROS AUSTRIA. Specifications and equipment are subject to change without any obligation on the part of the manufacturer.



MICROS Austria
Hunnenbrunn-Gwerbezone 5
9300 St. Veit/Glan, AUSTRIA
Tel: 0043 4212/30901
Fax: 0043 4212/30901 90
office@micros.at
www.micros.at

Breitenfurterstr. 38, 1120 Vienna, AUSTRIA

ENISO 9001 - Stereo Microscopes - Version 08/13



We are here for you



STEREO MICROSCOPES

Mosquito MS 1030
Bee MS 1107
Ladybird MZ 1240
Hornet MZ 1280

micros
AUSTRIA



micros micros micros micros

Explore an unreal new world with rugged shapes and incredible colors

STEREO MICROSCOPES

Stereomicroscopes are the perfect start to jump into the world of microscopy. With stereomicroscopes no special specimen preparation before observing is required. Insects, flowers, leaves, coins ... can be put under the microscope and viewed immediately and the results are fast and amazing from the start. Kids and students can observe objects independently just right after a short introduction.

But stereo microscopes are not just ideal for teaching purposes and learning. Stereo microscopes see use in all kinds of applications like routine inspection, quality control, assembly, medical applications or forensics.

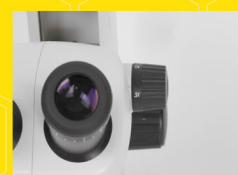
Our stereo microscopes create crystal clear erect 3D images with excellent depth of field for observations of flowers, animals, micro organisms, stones, minerals, various surfaces or circuit boards.

Viewing objects that are too small to be seen by your eyes only!

Observing inclusions in stones or crystals



Biology applications, observing animals or plants



MOSQUITO MS 1030

The 2-magnification starter model offers a magnification changer from 1x/3x. The compact structure, the long working distance (100 mm) and the high optical performance makes the model suitable for various applications. It is ideal for teaching purposes and learning, hobby activities, routine laboratory use, biological or botanical applications, assembly. Mosquito MS1030 offers a binocular observation tube, which is inclined at 45° and 360° rotatable. The stand features an economic incident and transmitted LED illumination system. Both lights can be used together or simultaneously as well as the brightness can be adjusted independently.

GREENOUGH optical system *

Incident light 0.8W LED, variable intensity control.
Transmitted light 0.5W LED, variable intensity control
Incident and transmitted light can be used simultaneously

Bee MS 1107

Explore sharp three dimensional images

This model is ideal for educational and industrial applications. It features a 360° rotatable binocular head which is inclined at 45° and an interpupillary distance adjustment from 50 - 75 mm. The rotatable tube gives you the possibility to share your views without moving the microscope. The Micro Stereo 1107 provides both transmitted and incident light which can be used separately or simultaneously.

GREENOUGH optical system*

Incident light 12V/3W LED, variable intensity control.
Transmitted light 12V/4W LED, variable intensity control
Incident and transmitted light can be used simultaneously



* The GREENOUGH optical system

This system has two zoom optical paths that are inclined to produce the stereo effect. The Greenough system offers a compact stereo microscope design with a consistent good optical performance. These microscopes are very solid, simple to use, and easy to maintain



LADYBIRD MZ 1240

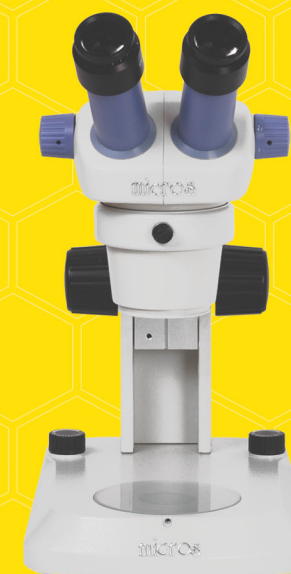
The zoom stereo microscope offers a total magnification range from 10x - 45x. The high quality optical system and the bright LED illumination system create incredible observation results. The energy saving LED illumination offers incident and transmitted light which can be used simultaneously or independent from each other. Both lights can be dimmed to create the desired brightness. Ladybird MZ1240 also offers a long working distance of 97 mm. The ideal model for educational purposes, medical applications and the industrial field.

Binocular observation tube ...
... with an inclination of 45° and 360° rotatable
Trinocular observation tube ...
... with an inclination of 45° and 360° rotatable

With the adjustable interpupillary distance from 52 - 75 mm and the diopter adjustment both tubes can be easily adapted on different users.

Accessories

Auxiliary lenses - 0.5x/0.65x/0.75x/2.0x
Eyepieces - WF10x/22, WF15x/16, WF20x/12
Documentation systems for
analyzing and storing observation results **



Available versions:



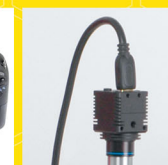
Ladybird MZ1240 Binocular



Ladybird MZ1240 Trinocular

** Documentation systems

Different accessories for various forms of documentation are available. Choose between digital compact cameras, digital SLR cameras, LIVE CAMS with USB2 connection or HD video cameras. Also available are softwares for editing, analyzing and measuring images. Documentation systems are available for Ladybird MZ1240 and Hornet MZ1280.



Hornet MZ1280

This model is ideal for educational and industrial applications. The LED illumination system with variable intensity can be used simultaneous or independent of each other. The model delivers crisp sharp erect 3D images. It features a binocular observation tube, inclined 45° and rotatable 360° and with diopter adjustment on the right eyepiece tube. The interpupillary distance is adjustable from 48 - 75 mm and the eyepieces have a 22 field of view and are suitable to spectacle wearers.

Accessories

Auxiliary lenses - 0.5x/1.5x/2.0x/0.75x



Eyepieces WF - 5x/20, 10x/22, 15x/16, 20x/13, 25x/12, 30x/12
WF10x/22 with reticule, resolution 0.1mm

Polarization set
consisting of polarizer and analyzer

Photo Port



Documentation systems
For analyzing and storing observation results **

micros micros micros micros micros micros micros